

43" Outdoor moveable sun-readable digital signage



Free movement, omnidirectional rotation

Foldable design, with special casters, it can be operated flexibly by one person, saving time and effort.



Fixed lock pole

Adopt advanced locking mechanism to ensure the stable placement of the machine, making the movement and placement easier and more flexible



IP65 waterproof & dust-proof



14-hours' continuous working



Built-in Android OS



WiFi upgrading



Play menu



Plug and play



Safety lock



Anti-uv



Menu

PnP

Plug and paly

Advantages

IP65 waterproof and dust-proof



Protection from the weather!



Longer working life



14 hours

1500 nits IPS A+ level panel



Conventional Signage Display



Outdoor Digital Android Battery ABoards



Plug and play

Format:

Video (MPG, AVI, MP4, RM, RMVB, TS), AUDIO(MP3, WMA), IMAGE(JPG, GIF, BMP, PNG),scrolling texts

videos images music h5



Remaining battery reminder

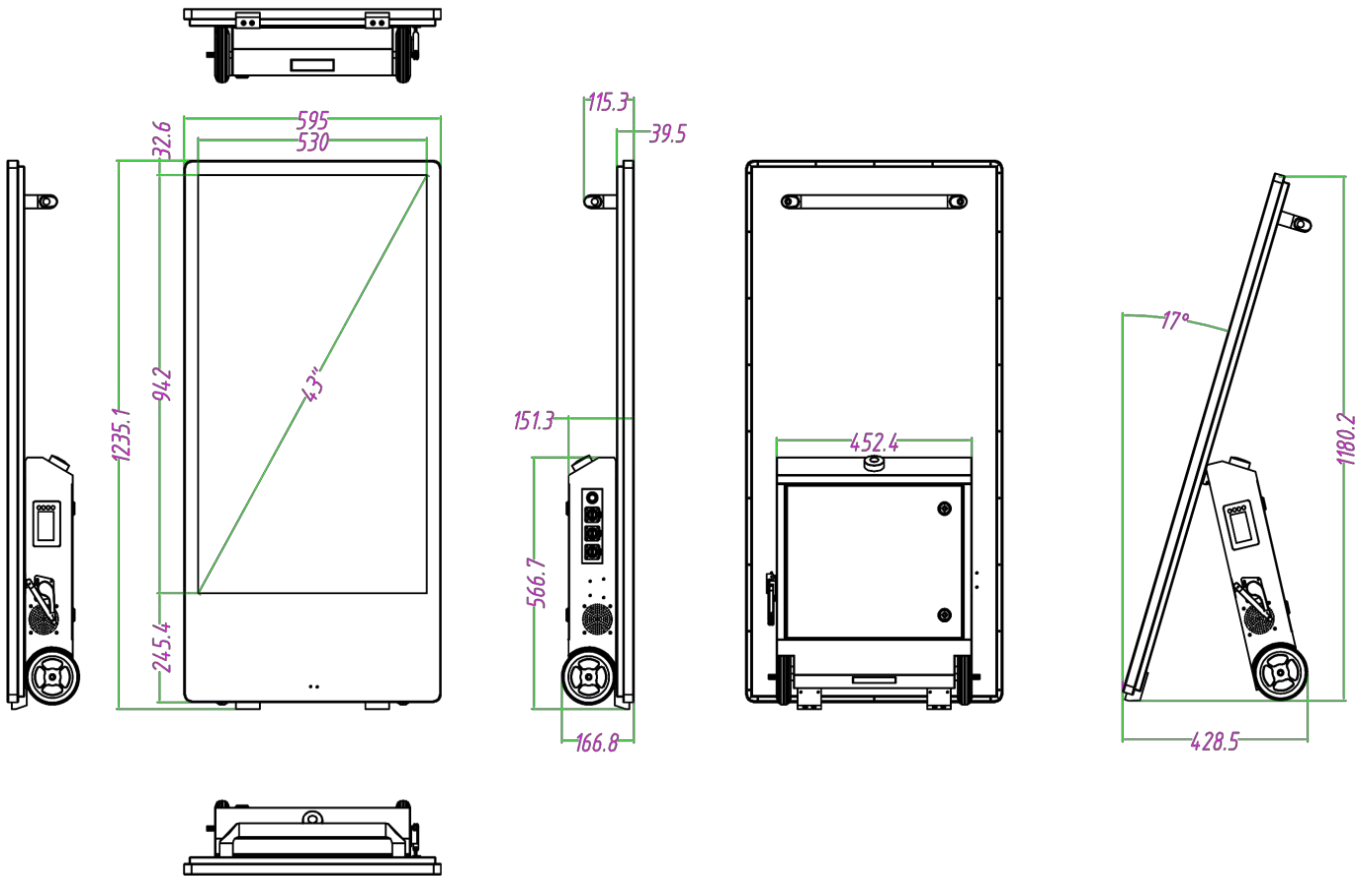


Tempered glass and high-strength metal case



		42.5inch TFT-LCD
Screen	Resolution	1920x1080(FHD)
	Display area (mm)	940.896(H)x 529.254(V)
	Ratio	16:09
	Brightness(cd/m2)	1500
	Color depth	16.7M
	Vewing angle	178°
	Contrast	4000:01:00
Mainboard	Media format	Video (MPG, AVI, MP4, RM, RMVB, TS), Audio (MP3, WMA), Image(JPG, GIF, BMP, PNG)
	Output resolution	1080x1920
	CPU	Dual core RAM Cortex-A53+ Dual core RAM Cortex-A73 CPU, CPU Frequency: 1.55GHZ
	GPU	MALI-G51 MP2, support FULL HDR
	RAM	2GB DDR4 (3GB opitonal)
	ROM	8GB NAND(16GB optional)
	USB	USB2.0 HOST (x2)
	LAN	10/100M Ethernet
	Wi-Fi	802.11b/g/n
	Operation system	Android8.0
	Speakers	8Ω 5W x2
Battery	Battery	Integrated polymer lithium battery
	Charging time	7 hours
	Battery life	14 hours
	Battery capacity	43200mAh
	Voltage	25.2V
	Power consumption	110W

	Energy efficiency	1088.54Wh	
Size	Dimension (WxHxD mm)	1234x591x195	
	Packing size(WxHxDmm)	1335x700x300	
	Net weight(kg)	38.16 kg	
	Gross weight (kg)	< 46 kg	
Working environment	Working temperature	-20 °C to 70 °C	Max 105°C
	Storage temperature	-30 °C to 80 °C	
	Working humidity	10% to 80%	
	Storage humidity	5% to 95%	
Spare parts	Including	Remote controller, user manual, power charger and charging cable	





NEW

